



ITEM#: NE300SK
Nelson Sofa Table, Oak
48" *18" *29"

- Dust with a soft cloth. Dust will scratch the furniture surface if not removed properly.
 - Use the same type of polish consistently as interchanging oil-based and wax-based polishes will cause a build-up and result in a foggy or cloudy appearance.
 - If a polished surface becomes foggy, rub it with a cloth dipped in a solution of one tablespoon vinegar to one quart of water. Rub softly with the grain until the surface is completely dry.
 - Soap and water are not advisable for wood surfaces. Water can penetrate the finish and raise the grain on wood, causing damage.
 - Remember to change dusting cloths frequently as dirty cloths may scratch your furniture's surface.
- The Enemies of Wood:
- Moisture is wood's worst enemy. Liquid spills should be gently wiped up immediately. Coasters should be used under all beverages.
 - Do not allow rubber or vinyl materials to lie on the furniture. Chemicals in rubber may leave a stain. Put a strip of felt or leather under accessories that have rubber or vinyl.
 - Heat creates a chemical change in the furniture's finish, which results in a white spot. Use protective pads under hot dishes, appliances, etc.
 - Sunlight's ultraviolet rays can damage the finish of furniture. Do not place furniture directly against a heater or radiator and do not place in the path of hot streams of air from central heating. This will cause extreme localized drying of the wood.

- generally non-porous surface. The stone has many natural characteristics including: veining, hairline cracks, and color variations-which make up the stone's beauty.
- To maintain the beauty of your granite:
- Protect surfaces from scratching, staining and etching by:
 - * Keeping them free of debris or sharp objects
 - * Wiping up spills immediately
 - * Avoiding contact with chemicals (particularly acid-based materials)
 - Clean with pH neutral products or those especially formulated for use on stone.
 - It is not recommended to use a water-based solvent for dark granite as it will remove the polish from the surface.

- Caring for the Fabric on Upholstered Furniture:
- Frequent vacuuming of the entire upholstered area will prevent dust from settling into the fibers.
 - Professional cleaning is always recommended for all upholstered pieces.
 - Always pre-test a small area of fabric in an inconspicuous area when cleaning before proceeding.
 - Do not use cleaning products containing brightening agents.

High Gloss Resin Table Maintenance:

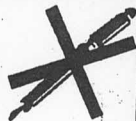
- Resin tabletops have approximately 1/8" of a resin coat on the top face of the table, which will resist ice, water, wine, liquor, food, cleaning fluids, and warm or hot liquids; however, cups, glasses, etc. containing hot liquids should not be left on the table without a coaster for protection.
- Resin tabletops will scratch just the same as any other glossy surface and basic precautions should be taken.
- For lasting shine, the resin table should be waxed with a car wax that does not contain silicon. Maintaining this wax build-up will result in a high gloss shine.
- When wiping down the table, a soft, clean rag should be used. Do not use a heavy paper.

VERY IMPORTANT!!

NEVER

USE GLASS CLEANERS ON FINISHED SURFACES AMMONIA WILL CHEMICALLY ATTACK THE FINISH

DO NOT WRITE DIRECTLY ON SURFACE



PREVENT MARKING

DO NOT PLACE DIRECTLY IN SUNLIGHT



PREVENT FADING

DO NOT USE PLACEMATS WITH RUBBER BASES



PREVENT DISCOLORING

NEVE

ALLOW LIQUIDS OF ANY KIND TO LINGER ON SURFACES ABSORPTION CAUSES THE WOOD TO WARP AND THE FINISH TO DE-LAMINATE

DO NOT USE COMMERCIAL POLISHES AND WAXES



PREVENT YELLOWING

DO NOT PLACE HOT POTS, ETC. ON SURFACE



PREVENT DAMAGE TO FINISH!

REGULATE THE HUMIDITY CONDITIONS AT YOUR HOME

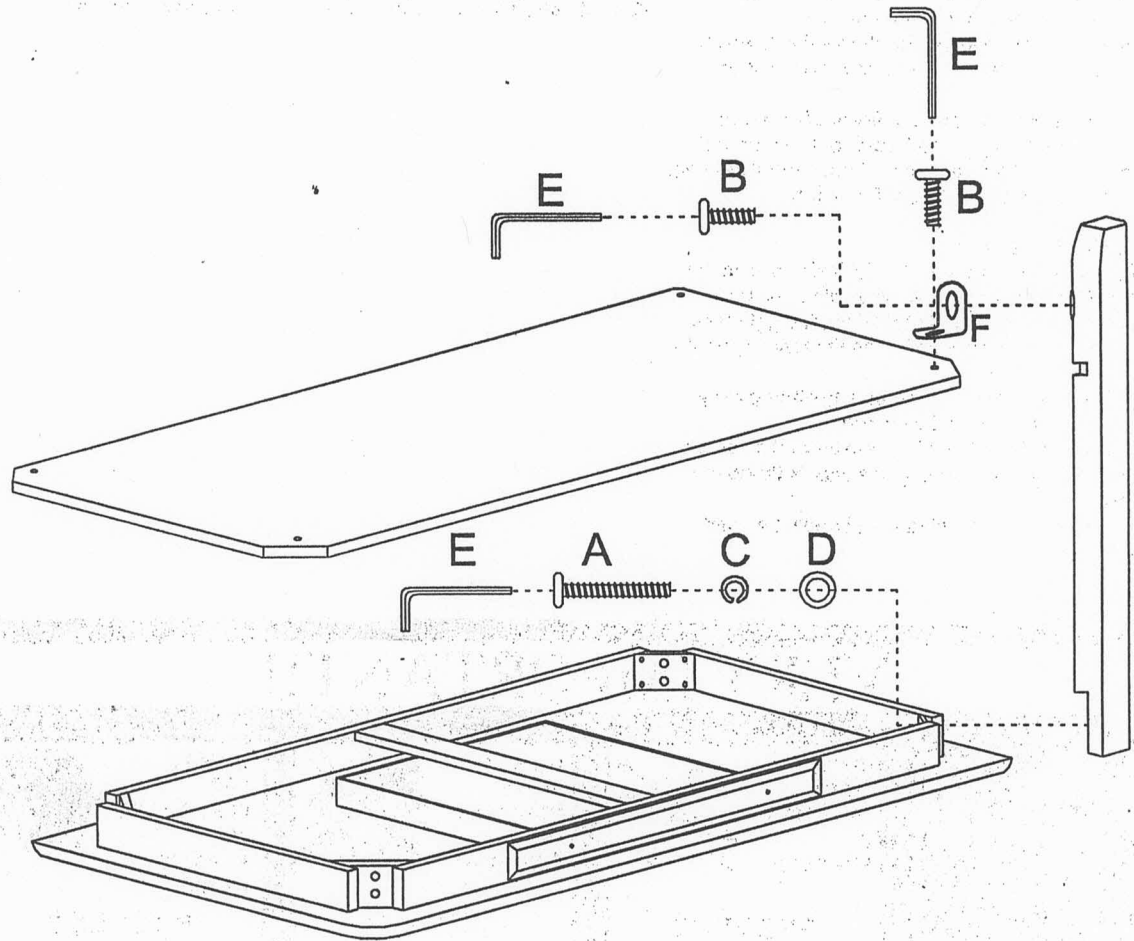


PREVENT SPLITTING




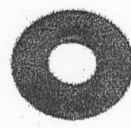


NE300SK

Assembly Instructions

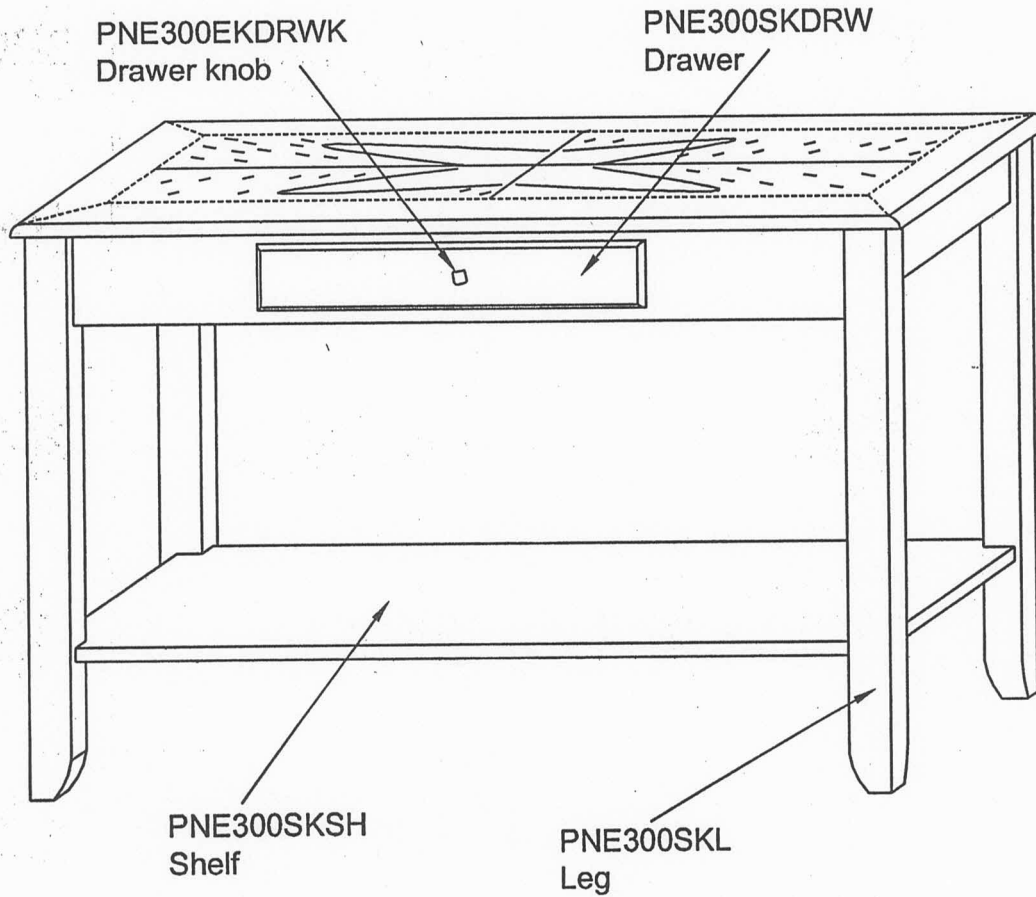
Please do not fully tighten bolts & screws until the entire item is completely assembled.



Hardware Pack : #PNE300EKH

A		5/16" x 2"	8PCS
B		5/16" x 1/2"	8PCS
C		5/16"	8PCS
D		5/16" x 19mm	8PCS
E		5mm	1PC
F			4PCS

PARTS FOR :NE300SK COMPLETE HARDWARE : #PNE300EKH



PRODUCT DETAILS	
TOP	OAK VENEER ON PB
APRON	OAK VENEER ON PB
SHELF	OAK VENEER ON PB
FRONT PANEL OF DRAWER	OAK VENEER ON PB
LEG	RUBBER WOOD
PRODUCT SIZE	48" x 18" x 29"
CARTON SIZE	51" x 24" x 8"
NET WEIGHT	54LBS
GROSS WEIGHT	61.7LBS
CU.FT.	5.60'

MADE IN CHINA

4



ITEM#: NE300SK
Nelson Sofa Table, Oak
48" *18" *29"

- Dust with a soft cloth. Dust will scratch the furniture surface if not removed properly.
- Use the same type of polish consistently as interchanging oil-based and wax-based polishes will cause a build-up and result in a foggy or cloudy appearance.
- If a polished surface becomes foggy, rub it with a cloth dipped in a solution of one tablespoon vinegar to one quart of water. Rub softly with the grain until the surface is completely dry.
- Soap and water are not advisable for wood surfaces. Water can penetrate the finish and raise the grain on wood, causing damage.
- Remember to change dusting cloths frequently as dirty cloths may scratch your furniture's surface.

The Enemies of Wood:

- Moisture is wood's worst enemy. Liquid spills should be gently wiped up immediately. Coasters should be used under all beverages.
- Do not allow rubber or vinyl materials to lie on the furniture. Chemicals in rubber may leave a stain. Put a strip of felt or leather under accessories that have rubber or vinyl.
- Heat creates a chemical change in the furniture's finish, which results in a white spot. Use protective pads under hot dishes, appliances, etc.
- Sunlight's ultraviolet rays can damage the finish of furniture. Do not place furniture directly against a heater or radiator and do not place in the path of hot streams of air from central heating. This will cause extreme localized drying of the wood.

High Gloss Resin Table Maintenance:

- Resin tabletops have approximately 1/8" of a resin coat on the top face of the table, which will resist ice, water, wine, liquor, food, cleaning fluids, and warm or hot liquids; however, cups, glasses, etc. containing hot liquids should not be left on the table without a coaster for protection.
- Resin tabletops will scratch just the same as any other glossy surface and basic precautions should be taken.
- For lasting shine, the resin table should be waxed with a car wax that does not contain silicon. Maintaining this wax build-up will result in a high gloss shine.
- When wiping down the table, a soft, clean rag should be used. Do not use a heavy paper.

generally non-porous surface. The stone has many natural characteristics including: veining, hairline cracks, and color variations-which make up the stone's beauty.

To maintain the beauty of your granite:

- Protect surfaces from scratching, staining and etching by:
 - * Keeping them free of debris or sharp objects
 - * Wiping up spills immediately
 - * Avoiding contact with chemicals (particularly acid-based materials)
- Clean with pH neutral products or those especially formulated for use on stone.
- It is not recommended to use a water-based solvent for dark granite as it will remove the polish from the surface.

Caring for the Fabric on Upholstered Furniture:

- Frequent vacuuming of the entire upholstered area will prevent dust from settling into the fibers.
- Professional cleaning is always recommended for all upholstered pieces.
- Always pre-test a small area of fabric in an inconspicuous area when cleaning before proceeding.
- Do not use cleaning products containing brightening agents.

VERY IMPORTANT!!

NEVER

USE GLASS CLEANERS ON FINISHED SURFACES. AMMONIA WILL CHEMICALLY ATTACK THE FINISH

DO NOT WRITE DIRECTLY ON SURFACE



PREVENT MARKING

DO NOT PLACE DIRECTLY IN SUNLIGHT



PREVENT FADING

DO NOT USE PLACEMATS WITH RUBBER BASES



PREVENT DISCOLORING

NEVE

ALLOW LIQUIDS OF ANY KIND TO LINGER ON SURFACES. ABSORPTION CAUSES THE WOOD TO WARP AND THE FINISH TO DE-LAMINATE

DO NOT USE COMMERCIAL POLISHES AND WAXES



PREVENT YELLOWING

DO NOT PLACE HOT POTS, ETC. ON SURFACE







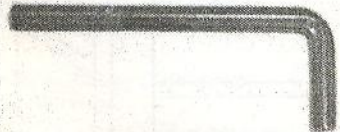

PREVENT DAMAGE TO FINISH!

REGULATE THE HUMIDITY CONDITIONS AT YOUR HOME



PREVENT SPLITTING

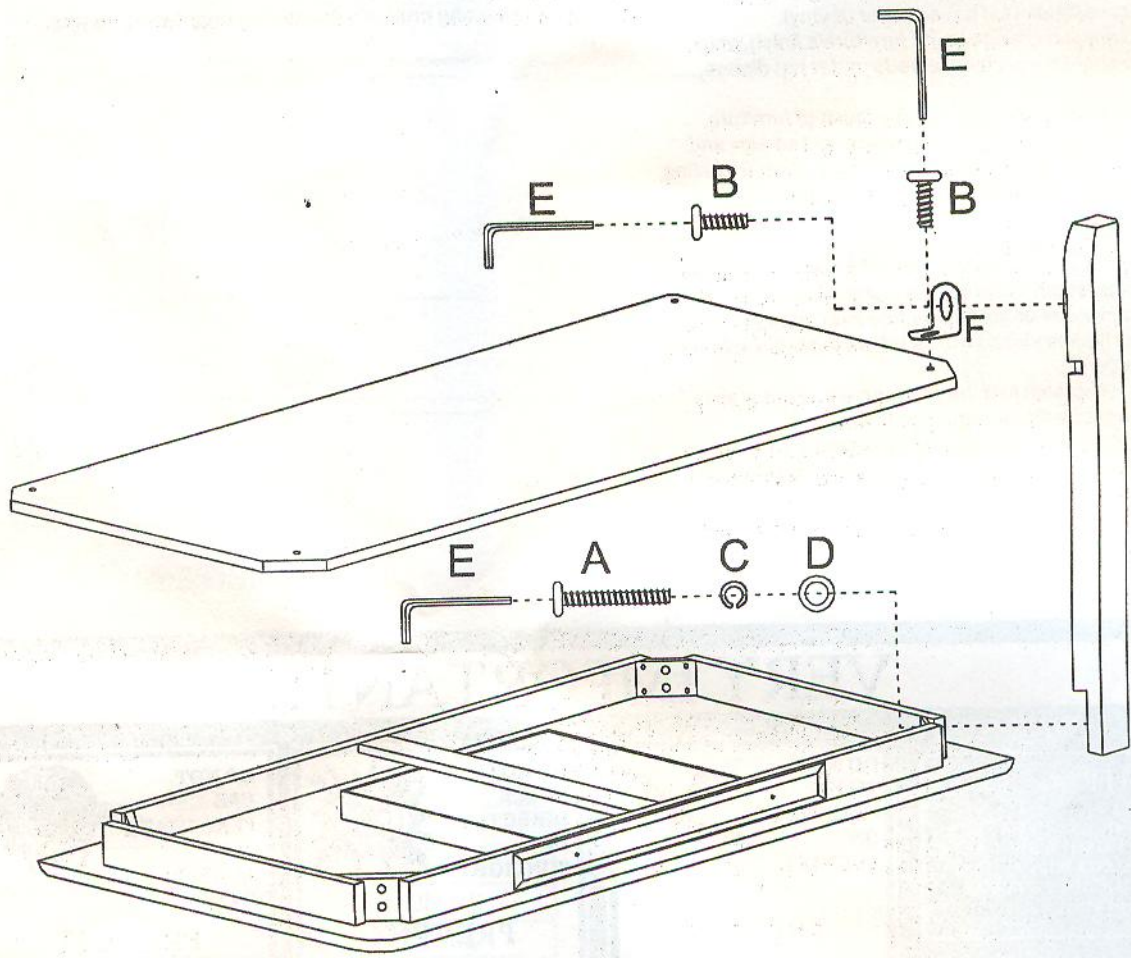
Hardware Pack : #PNE300EKH

A		5/16" x 2"	8PCS
B		5/16" x 1/2"	8PCS
C		5/16"	8PCS
D		5/16" x 19mm	8PCS
E		5mm	1PC
F			4PCS

NE300SK

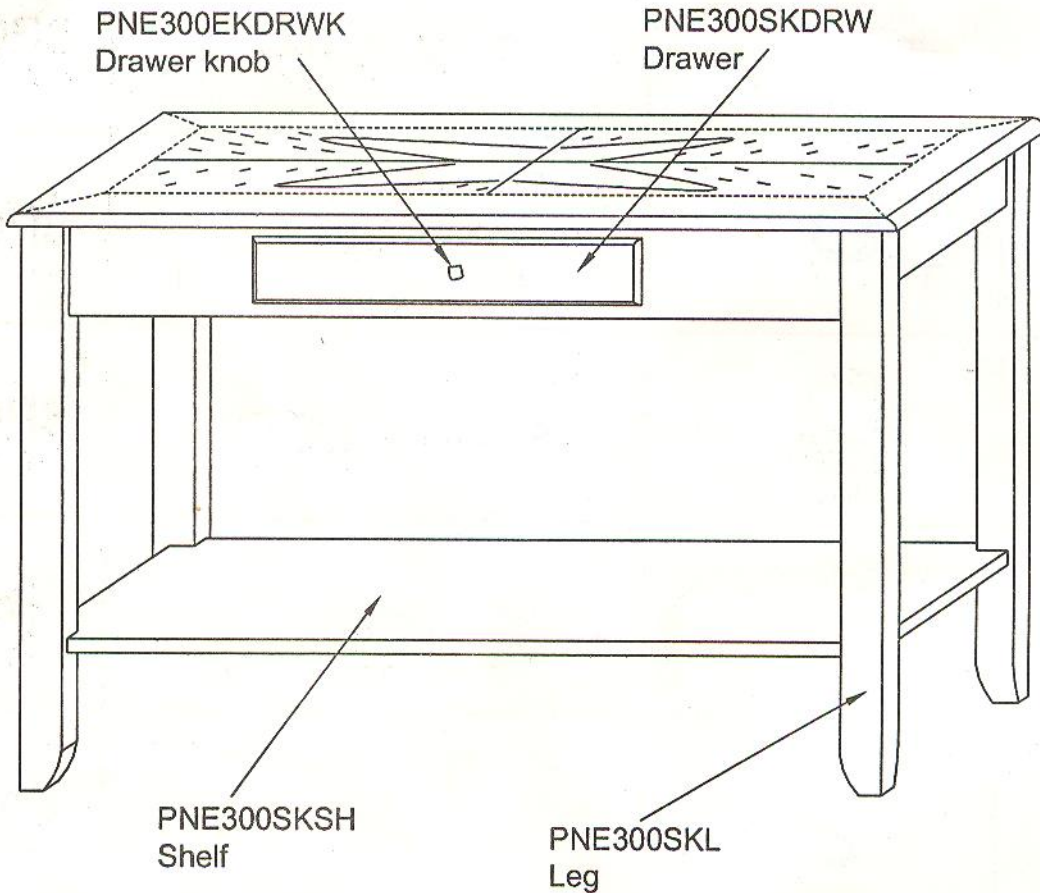
Assembly Instructions

Please do not fully tighten bolts & screws until the entire item is completely assembled.



PARTS FOR :NE300SK

COMPLETE HARDWARE : #PNE300EKH



PRODUCT DETAILS

TOP	OAK VENEER ON PB
APRON	OAK VENEER ON PB
SHELF	OAK VENEER ON PB